

LUMBER PATTERN DATA SHEET

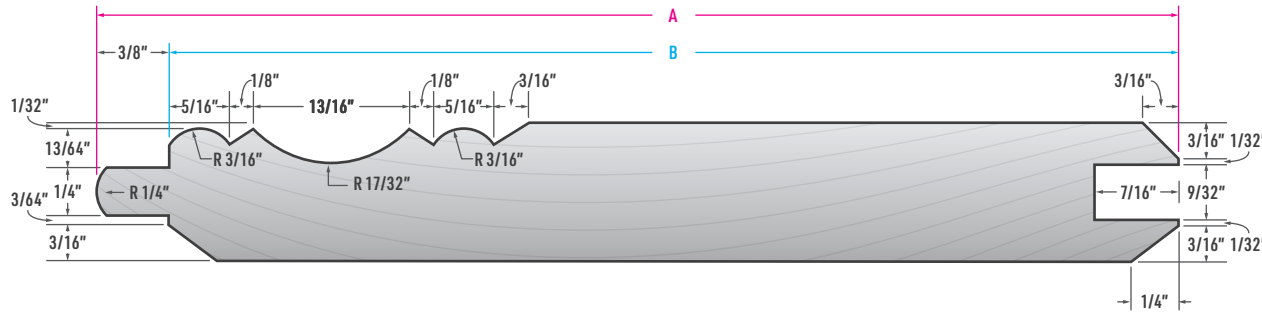
TONGUE & GROOVE LUMBER PATTERNS | V1.0



LUMBER PROFILE WP-2/WP-4 - 1" PANELING AND SIDING

FIND THIS PATTERN IN OUR LUMBER PATTERN BOOK ON PAGE 11

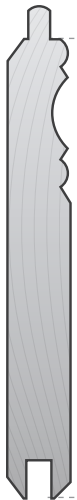
» NOTE: Dimensioned pattern drawings are drawn to scale and presented at 100% unless otherwise indicated.



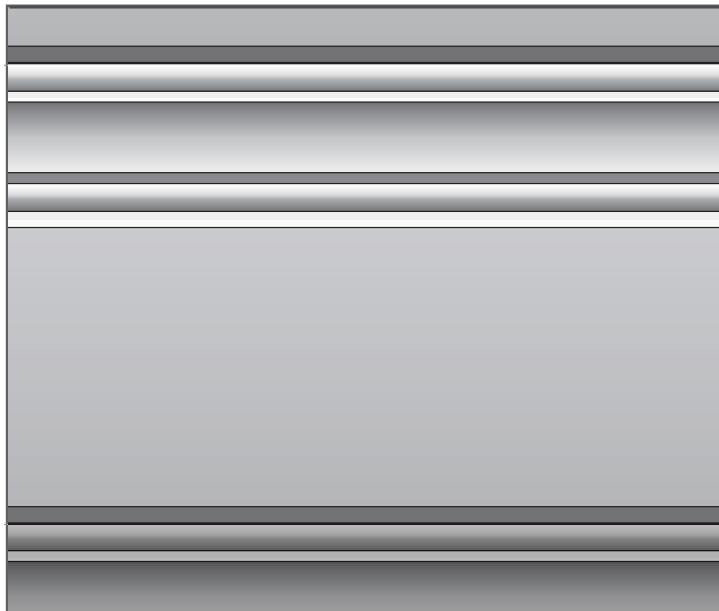
SCAN HERE

Get a digital copy of our *Lumber Pattern Book* by scanning the QR Code or by visiting our website at: westernwoodsinc.com

PROFILE VIEW



INSTALLED VIEW



SIZE OPTIONS

NOMINAL SIZE	PATTERN NO.	A	B	CONVERSION FACTOR
1 x 6	WP-2/WP-4	5 7/16"	5 1/16"	1.17
1 x 8	WP-2/WP-4	7 1/8"	6 7/8"	1.16
1 x 10	WP-2/WP-4	9 1/8"	8 7/8"	1.13
1 x 12	WP-2/WP-4	11 1/8"	10 7/8"	1.13

DISCLAIMER: The dimensions of the delivered product is subject to change due moisture variations experienced by the product during the drying process, storage, or transportation. Site environmental conditions also apply. See page 36 for additional information. Milling variations apply. Consult your local building code for tolerances and specifics.

LUMBER PATTERN DATA SHEET

TONGUE & GROOVE LUMBER PATTERNS | V1.0

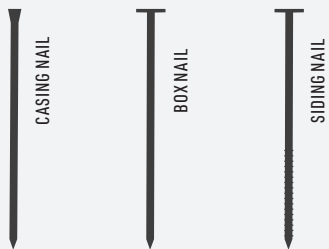
ALIGNMENTS

- ✓ Horizontal
 - ✓ Vertical
- Place tongued edge **UP** in horizontal applications.

NOMINAL SIZES

- | | |
|--------|---|
| 1 x 4 | <p>NOTE: T&G Patterns may be ordered with 1/4", 3/8", or 7/8" tongues. For wider widths, specify the longer tongue and pattern at the time of order.</p> |
| 1 x 6 | |
| 1 x 8 | |
| 1 x 10 | |
| 1 x 12 | |

NAIL TYPES



- C CASINGS NAIL** - Small tapered head; smooth shaft.
- B BOX NAIL** - Wide head flat, smooth shaft.
- S SIDING NAIL** - Wide flat head, ribbed shaft.

! WARNING: Do not nail through any of the over-lapping pieces.

DESCRIPTION

Tongue & Groove ('T&G') Patterns are available in a variety of patterns. T&G lends itself to different aesthetic effects and a variety of surface options. The sizes provided here (below left) are for plain Tongue & Groove patterns.

FIND THIS PATTERN IN OUR LUMBER PATTERN BOOK STARTING ON PAGE 06

NAILING PATTERNS

LEGEND

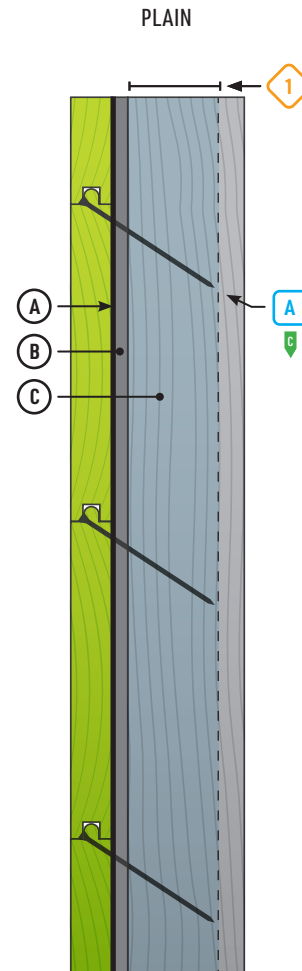
- 1** NAILS MUST PENETRATE 1 1/2" INTO SOLID WOOD.
- 2** USE TWO SIDING OR BOX NAILS PER BEARING 3 - 4" APART.
- A** USE CASING NAIL TO BLIND NAIL T&G PATTERNS. ONE PER BEARING.
- 1** POSITION LOWER NAIL 1" FROM THE BOTTOM.
- A** HOUSE WRAP
- B** SHEATHING
- C** STUD
- S** SIDING
- N** NAIL DEPTH
- N** NAIL

PROFILE VIEW

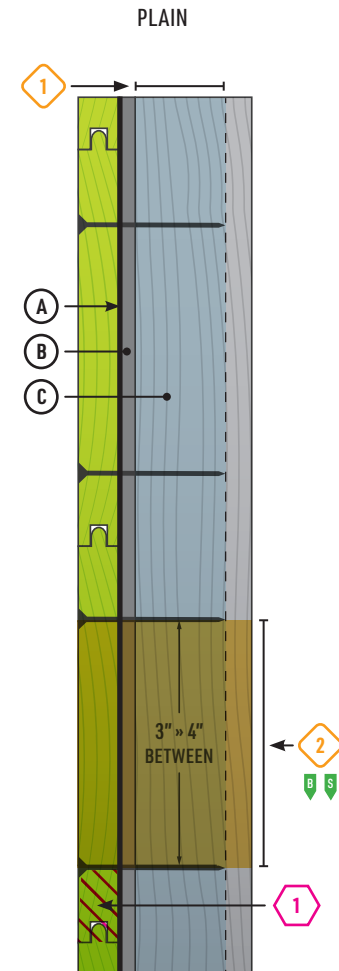
A profile view of the pattern before installation.



NAILING PATTERNS 6" AND NARROWER



NAILING PATTERNS 8" AND WIDER



CONTENT SOURCE INSTALLATION RECOMMENDATIONS & NAILING PATTERNS PROVIDED BY WWPA.